

SEIKI[®]

SD-3800 

A3 PRINT SEIKI SCAN PRINTER

Low Cost & High Performance Printer



*Available!
Flash drive &
Local area network*

SD-3800

A3 PRINT SEIKI SCAN PRINTER

SPECIFICATION

RESOLUTION	300×600 dpi : Scanning 300×600 dpi : Plate making
ORIGINAL SIZE	A3 (297mm x 420mm) Max.
ORIGINAL	Book and Sheet
ENLARGEMENT RATIO	115%, 122%, 141%
REDUCTION RATIO	94%, 87%, 81%, 71%
ZOOM FUNCTION	50 - 200%
DOUBLE SCAN	Yes
CENTER ERASE	Yes
IMAGE MODE	Text, photo, photo>Text, Newspaper Text>Photo, Screen, Pencil
DENSITY CONTROL	5Steps / Master making
GROUP PRINT	Yes
PRINT AREA	285mm×406mm
FEED CAPACITY	1000枚(70g/㎡)
PRINT PAPER SIZE	105x148 to 297x420 (mm)
PRINT PAPER WEIGHT	40 - 210g/㎡
PRINT SPEED	45, 65, 85, 105, 130 rpm
FIRST COPY SPEED	33 sec. approx.
PAPER STRIPER	With air pump & Blower fan
PAPER DELIVERY	3-belt conveyor
DISPLAY	Interactive LCD
PC INTERFACE	Yes(Windows 7, 8, 8.1, 10)/USB
PRINT POSITION	±10mm
COLOR CHANGE	Drum exchange/option
NET WEIGHT	108kg
POWER RATING	AC220-240V
POWER CONSUMPTION	180W/Max.(12W/Standby)
DIMENTION / OPEN	1,290×720×625mm
/ CLOSED	700×720×625mm

USEFUL FUNCTION

Network print	LAN connection available
External strage device	Print with flash drive ※1
Auto power off mode	Auto power off function ※2
Energy save mode	Turn off the operation panel ※2
Background density adjustment	Erase the background color
Auto adjustment of printing	Reduce density difference by speed
User management	Password (number) lock ※3
Image centering mode	Correct image position to center ※4
Ink saving mode	Reduce print density and save ink
Confidintial mode	Prevent reprinting with master eject

- ※1 It is necessary to convert to "prn" file.
 ※2 It is available to adjust the time of working this function
 ※3 It is necessary to input the password when turn on the power or weakup from energy save mode
 ※4 The print original set position is center as basic, it is the function to correct the printing position by the center if the set position incorrect

SEIKI®

- Windows is the registered trademark of Microsoft in USA
 □ Because of continuous product development, these specifications are subject to change without prior notice



CONSUMABLES

CODE No.	DESCRIPTION	
NK-201S	SD INK : BLACK	600cc / bottle
NK-202S	SD INK : BLUE	600cc / bottle
NK-203S	SD INK : RED	600cc / bottle
NK-204S	SD INK : GREEN	600cc / bottle
Asking	SD INK : OTHERS	600cc / bottle
RM-28	SD MASTER	102m / roll

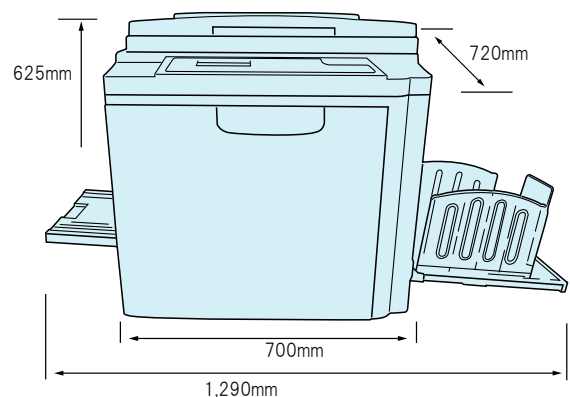
OPTIONS

CODE No.	DESCRIPTION
RS70	REPEAT SORTER
TP70	SORTER TAPE
JP038	SPARE DRUM A3
BX2800	CABINET

SEIKI consumables are manufactured and quality controlled to the highest standards. The results are products which guarantee top performance in the SEIKI Scan Printer.

SEIKI SD Ink is quick drying, designed for use in SEIKI Scan Printer. It produces clean sharp images on a wide range of papers. SEIKI inks are water based and harmless to the environment-even the plastics used in the bottles are recyclable.

SEIKI Master Material is exclusively manufactured to SEIKI's specifications under strict and from recyclable material



SHINODA
SHINODA & CO., LTD.

SHINODA & CO., LTD.
 2-18-15, KUNIJIMA, HIGASHIYODOGAWA-KU,
 OSAKA-SHI, OSAKA 533-0024 JAPAN
 TEL +81-6-7165-2151 FAX +81-6-7165-5991
 URL <http://www.net-shinoda.co.jp>
 E-mail info@net-shinoda.co.jp